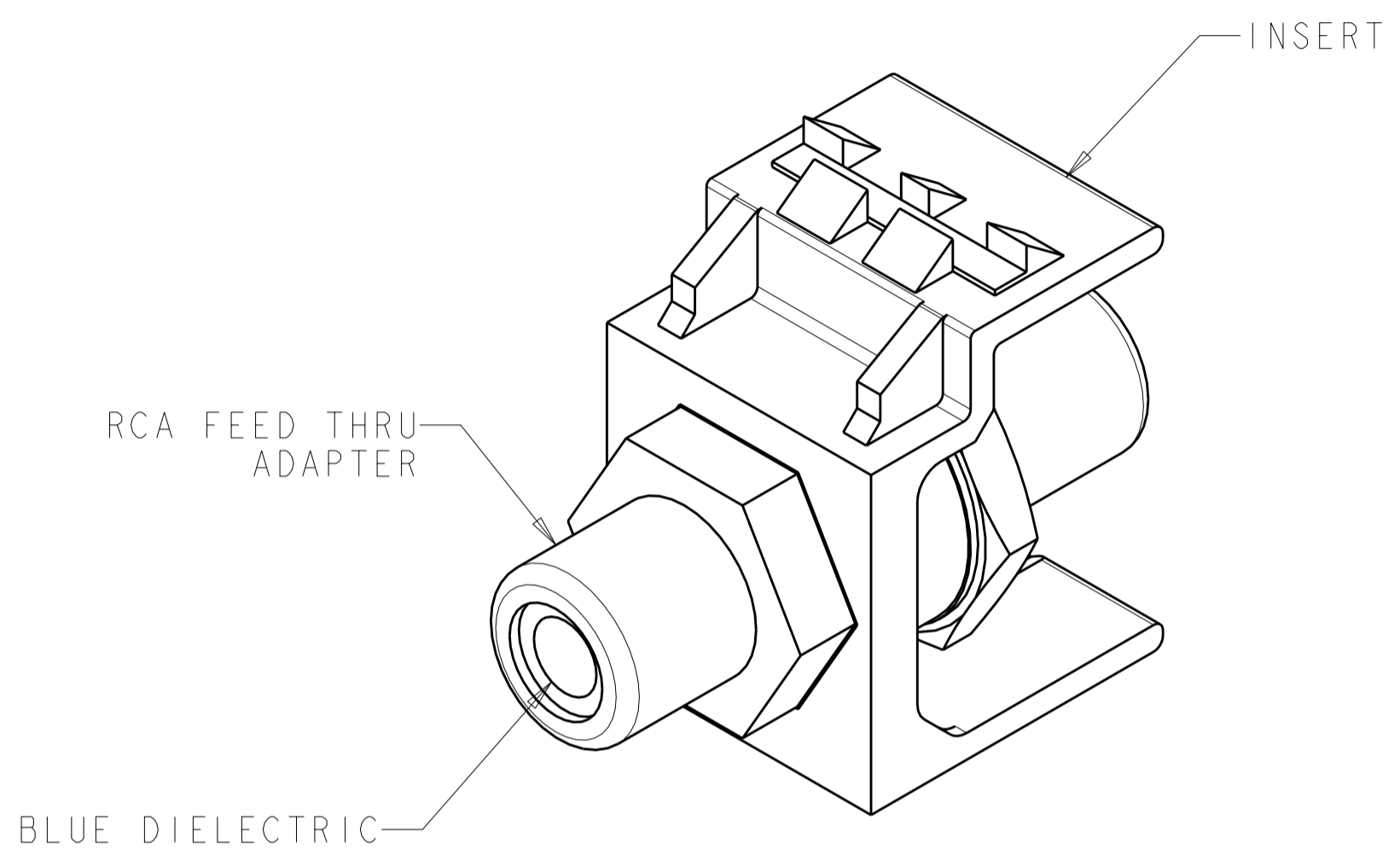
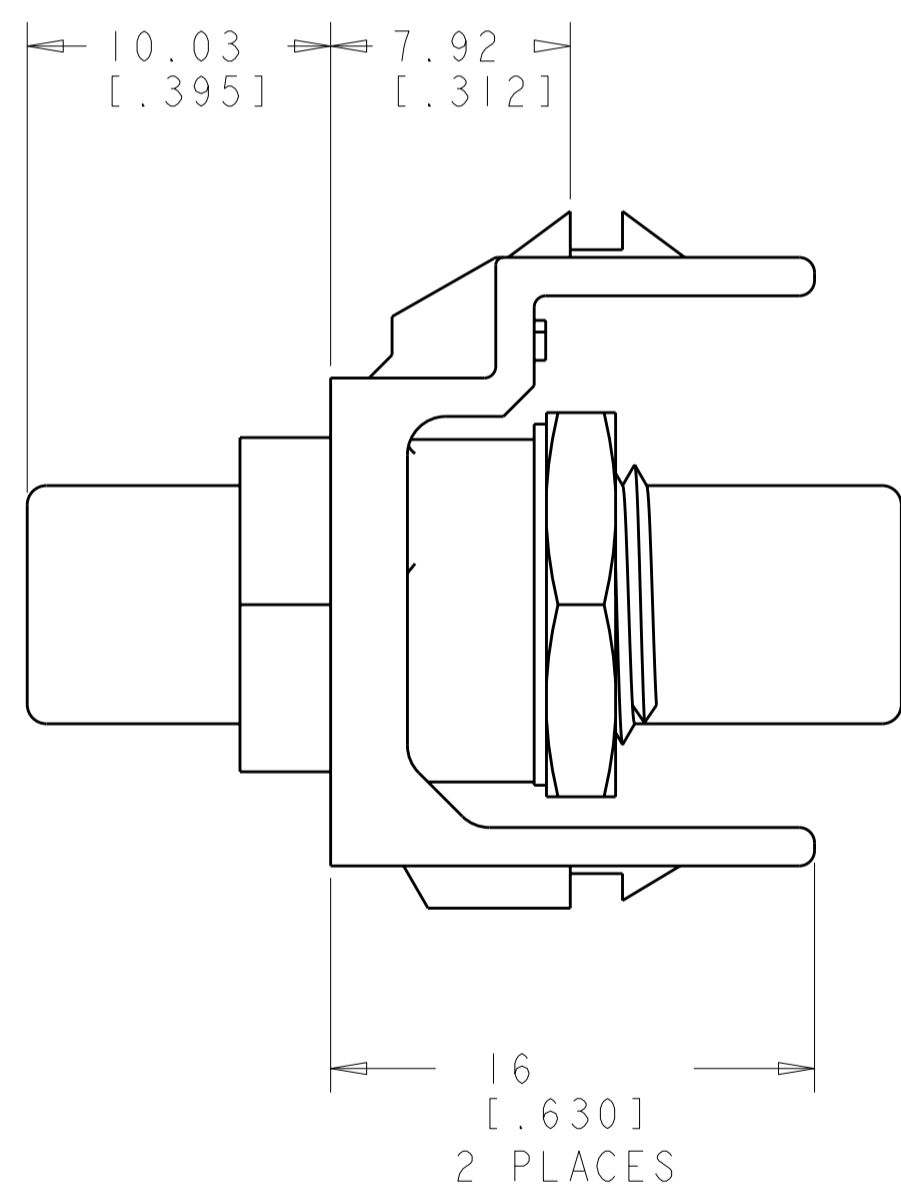


THIS DRAWING IS UNPUBLISHED. RELEASED FOR PUBLICATION 20  
 © COPYRIGHT 20 BY TYCO ELECTRONICS CORPORATION. ALL RIGHTS RESERVED.

LOC	DIST	REVISIONS					
HM	00	P	LTR	DESCRIPTION	DATE	DWN	APVD
			A	RLSD; NSD06-128	27NOV2006	LHS	GB



- ⚠ MATERIAL:  
 INSERT - ABS MOLDING COMPOUND,  
 SEE TABLE FOR COLOR.  
 ADAPTER - BRASS, GOLD PLATED.
- ⚠ UNLESS OTHERWISE SPECIFIED ALL  
 DIMENSIONS ARE SHOWN NOMINAL.



ELECTRIC IVORY	I-1933193-1
NEMA GRAY	1933193-4
WHITE	1933193-3
BLACK	1933193-2
LIGHT ALMOND	1933193-1
COLOR	PART NUMBER

<small>THIS DRAWING IS A CONTROLLED DOCUMENT FOR TYCO ELECTRONICS CORPORATION          IT IS SUBJECT TO CHANGE AND THE CONTROLLING ENGINEERING ORGANIZATION          SHOULD BE CONTACTED FOR THE LATEST REVISION.</small>		DWN L SMITH 27NOV2006 CHK G BOWMAN 27NOV2006 APVD G BOWMAN 27NOV2006	<b>tyco</b> <b>Electronics</b> Tyco Electronics Harrisburg, PA 17105-3608
DIMENSIONS: MM [INCHES]	TOLERANCES UNLESS OTHERWISE SPECIFIED:	PRODUCT SPEC APPLICATION SPEC WEIGHT	NAME INSERT ASSEMBLY, RCA FEED-THRU, BLUE, SL SERIES
0 PLC ± 1 PLC ± 2 PLC ± 3 PLC ± 4 PLC ± ANGLES ± FINISH -	± ± ± ± ± ±	- - -	SIZE A2 CAGE CODE 00779 DRAWING NO. 1933193 RESTRICTED TO -
MATERIAL - ⚠		CUSTOMER DRAWING	SCALE 4:1 SHEET 1 OF 1 REV A